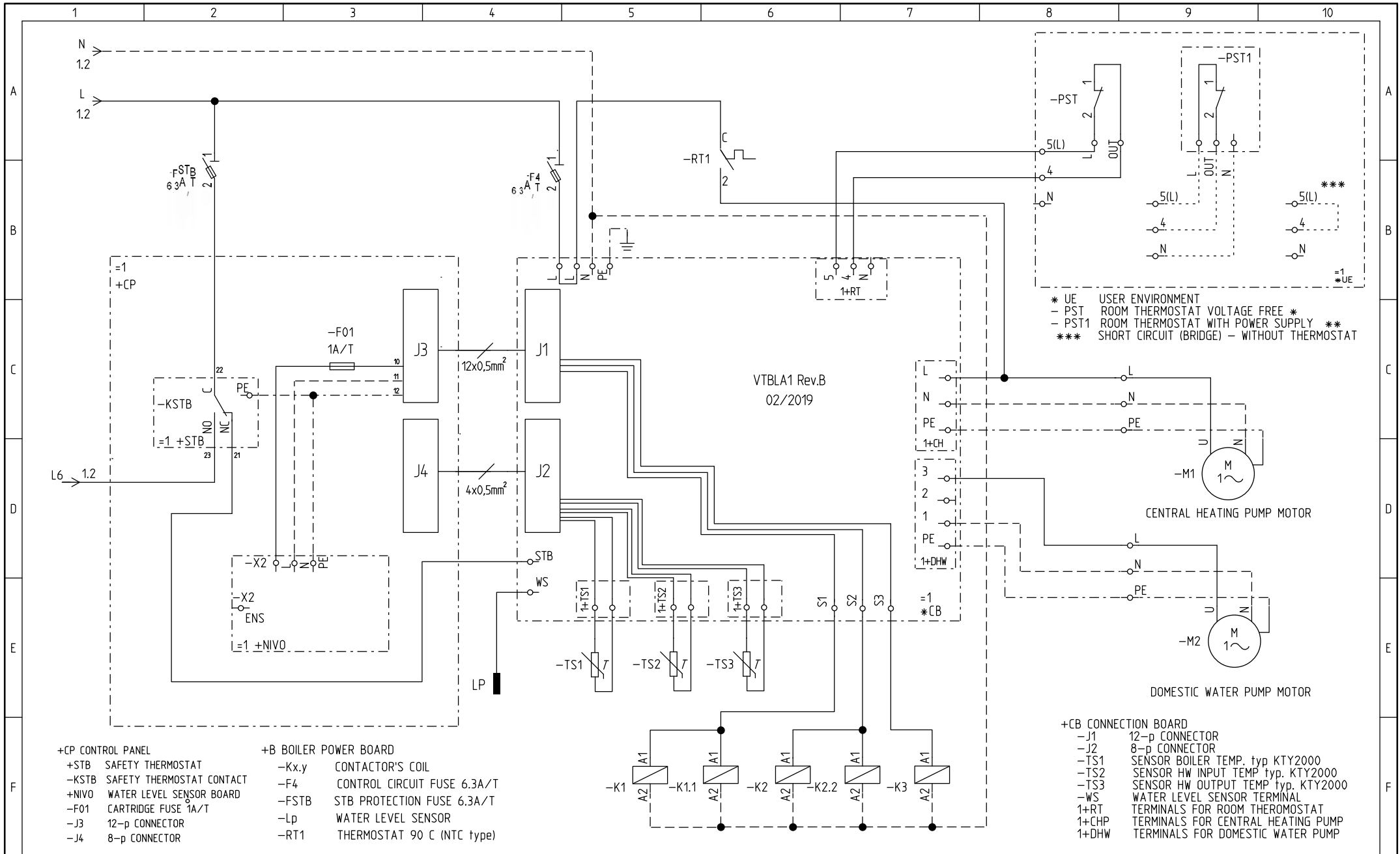


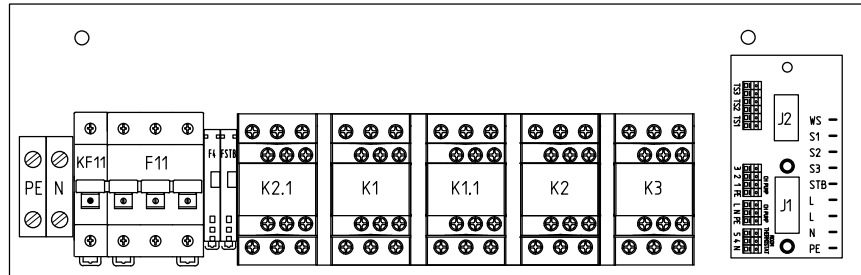
- +FB MAIN SUPPLY FUSE BOX
- Qx RESIDUAL CURRENT CIRCUIT BREAKER In/Id(A)
- Fx MAIN FUSE If(A)
- +B BOILER POWER BOARD
- F11 MAIN CIRCUIT BREAKER *see table
- KF11 REMOTE SWITCH
- Kx HEATER CONTACTOR
- +BO HEATER BOX
- Ex HEATER

** TIGHTENING:
Tightening torque: 2,5 – 3 Nm
Round wire, solid: 1,5 – 50 mm²
Stranded wire: 1,5 – 50 mm²

* SEE TABLE FOR TECHNICAL CHARACTERISTIC FOR FUSES, WIRE DIMENSIONS AND HEATER USE



MECHANICAL PLAN

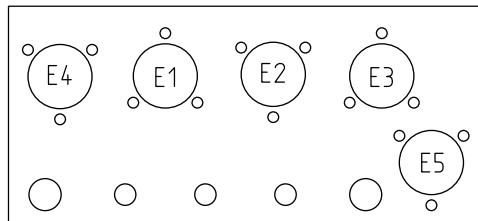


POWER UP STEPS TABLE

STEP	HEATER GROUP			POWER [kW] Pn=40kW
	S1	S2	S3	
1.	<input checked="" type="checkbox"/>	<input type="checkbox"/>	<input type="checkbox"/>	16
2.	<input checked="" type="checkbox"/>	<input checked="" type="checkbox"/>	<input type="checkbox"/>	32
3.	<input checked="" type="checkbox"/>	<input checked="" type="checkbox"/>	<input checked="" type="checkbox"/>	40

OFF
 ON

HEATERS POSITIONS



- E1 – K1
- E2 – K1.1
- E3 – K2
- E4 – K2.1
- E5 – K3