

- +FB MAIN SUPPLY FUSE BOX
- Qx RESIDUAL CURRENT CIRCUIT BREAKER In/IΔ(A)
- Fx MAIN FUSE If(A)
- +B BOILER POWER BOARD
- F11 MAIN CIRCUIT BREAKER *see table
- KF11 REMOTE SWITCH
- Kx HEATER CONTACTOR
- +BO HEATER BOX
- Ex HEATER

** TIGHTENING:
 Tightening torque: 2,5 – 3 Nm
 Round wire, solid: 1,5 – 50 mm²
 Stranded wire: 1,5 – 50 mm²

* SEE TABLE FOR TECHNICAL CHARACTERISTIC FOR FUSES, WIRE DIMENSIONS AND HEATER USE

POWER SUPPLY: 400V~3N 50/60Hz						HEATER CONNECTIONS (S1+S2+S3) kW		
Pn(kW)	In(A)	F11(A)	Qmin (mm ²)	Fx(A)	RCD (Qx) In/IΔ (A)	S1	S2	S3
18	26,12	40	6	32	40/0,03	(6)+	(6)+	(6)



Designed by: Pletikosa T.
 Checked by: Gojkovic Z.

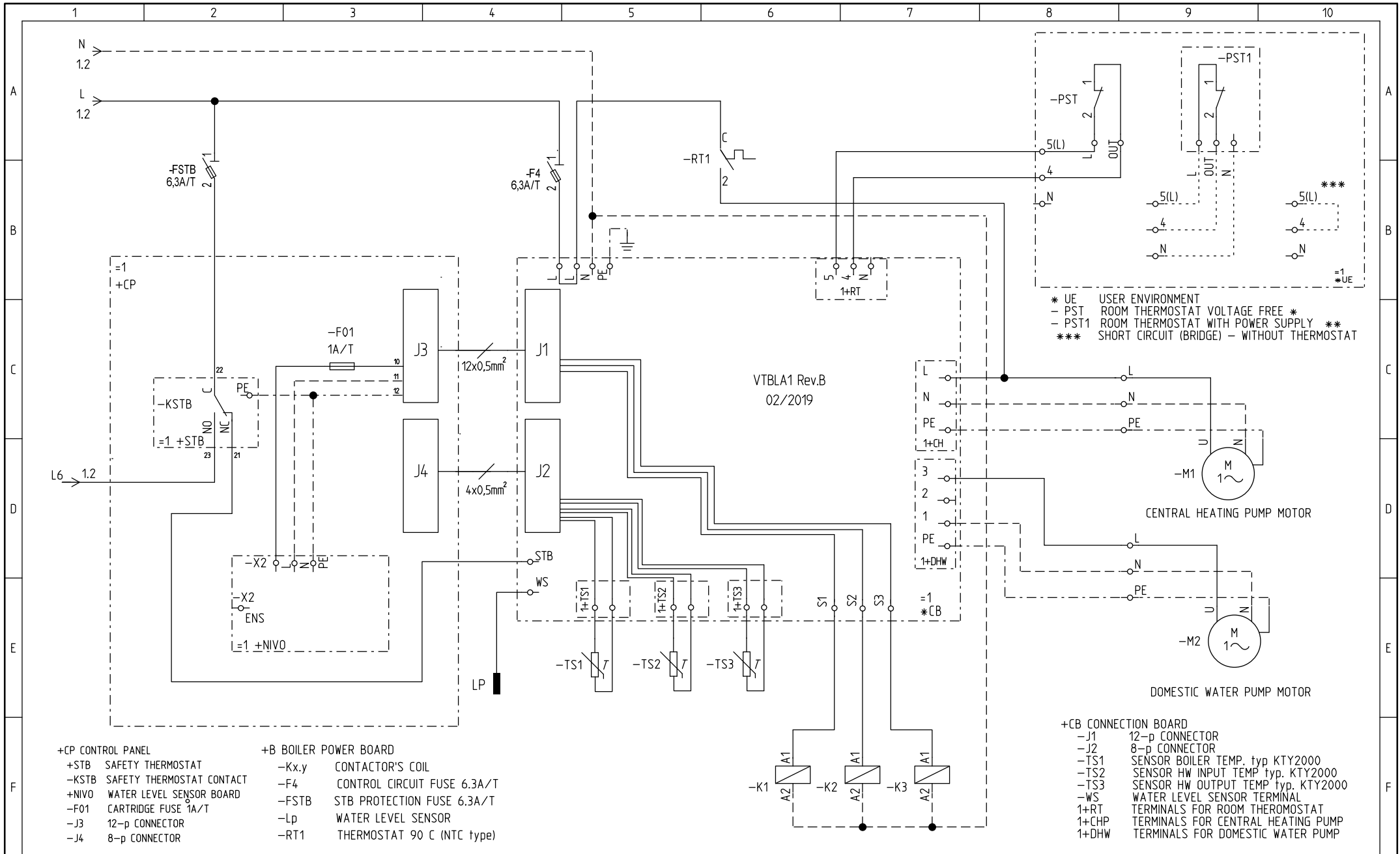
Project: ERHEL18WT

File name: 18kW 400VAC
 Date: 3.11.2025.

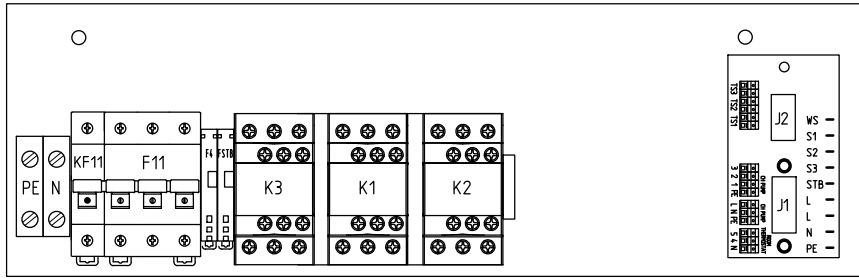
Page description: POWER DISTRIBUTION
 Function: =1
 Location: +B

All pages: 3
 Version: V01

Page: 1



MECHANICAL PLAN

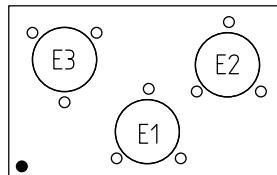


POWER UP STEPS TABLE

STEP	HEATER GROUP			POWER [kW]
	S1	S2	S3	
1.	<input checked="" type="checkbox"/>	<input type="checkbox"/>	<input type="checkbox"/>	6
2.	<input checked="" type="checkbox"/>	<input checked="" type="checkbox"/>	<input type="checkbox"/>	12
3.	<input checked="" type="checkbox"/>	<input checked="" type="checkbox"/>	<input checked="" type="checkbox"/>	18

OFF
 ON

HEATERS POSITIONS



E1 – K1
 E2 – K2
 E3 – K3